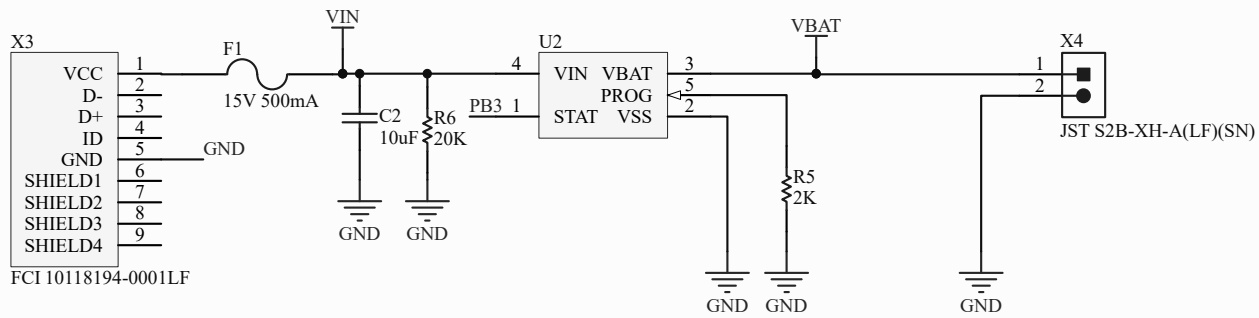
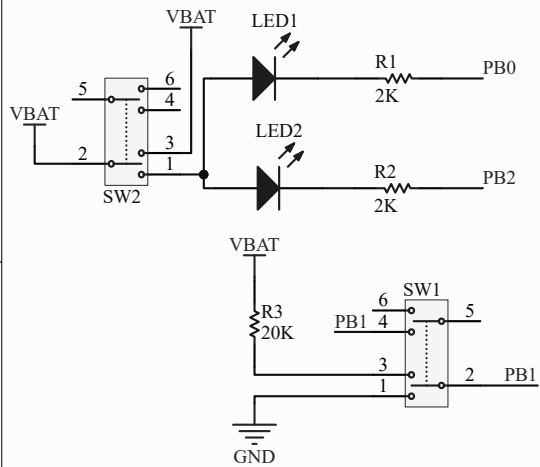


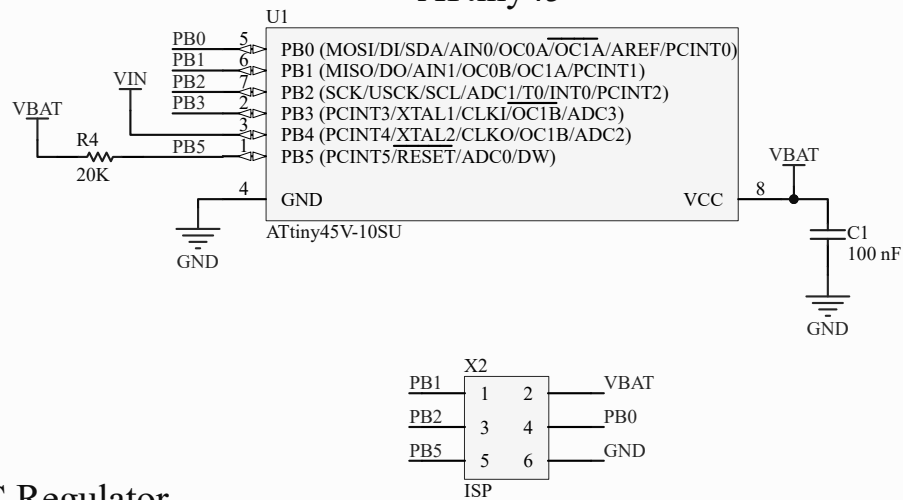
## USB Input and Li-Ion Charger



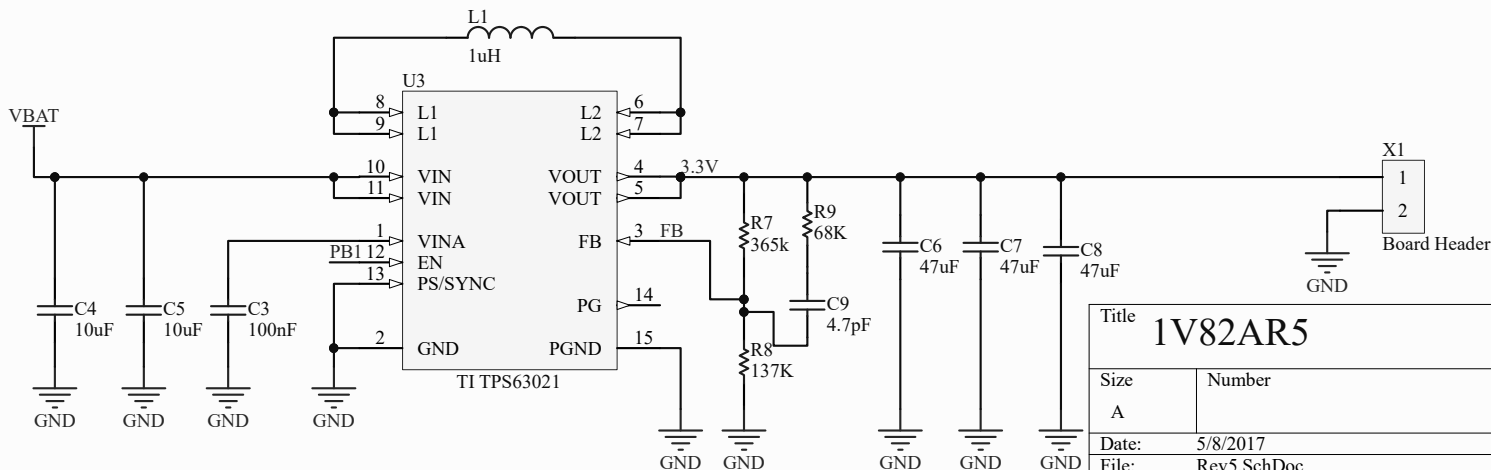
## Status LEDs and Power Switch



## ATtiny45



## 1.8V DC-DC Regulator



Title		1V82AR5		www.FlashCandy.us	
Size	Number	Revision		R5	
Date: 5/8/2017		Sheet of			
File: Rev5.SchDoc		Drawn By: Callahan Kovacs			