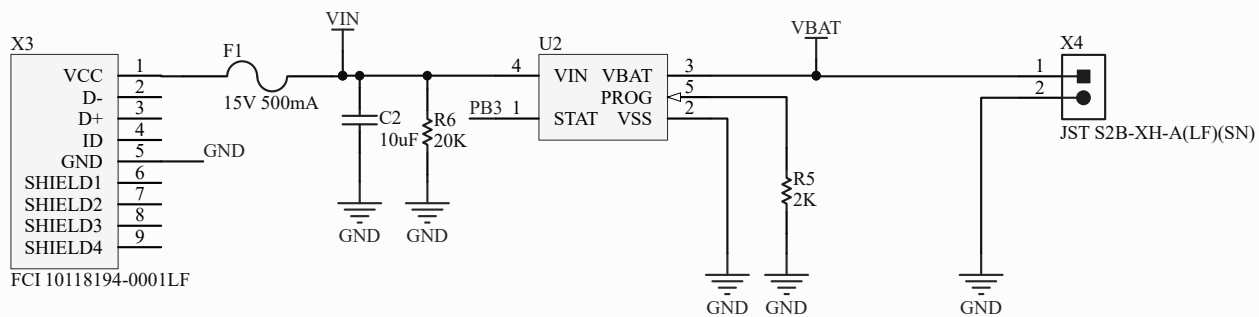
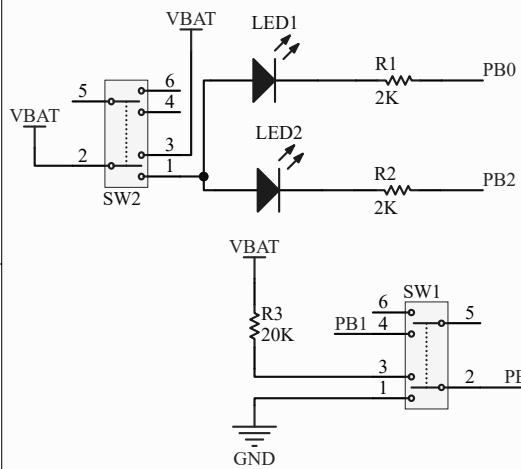


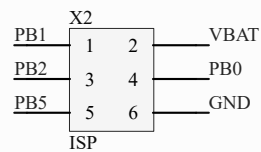
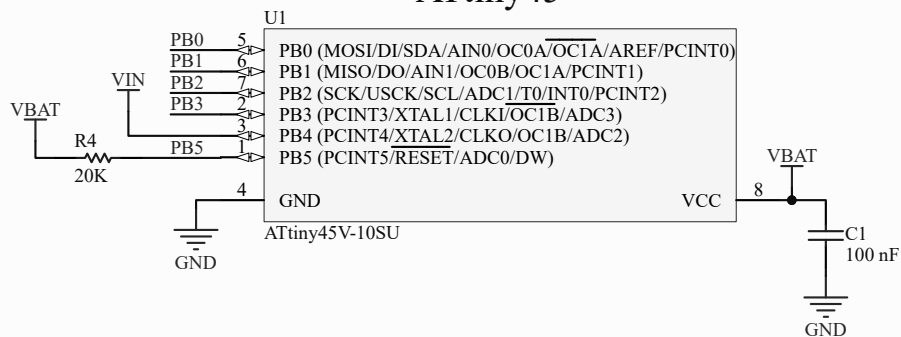
USB Input and Li-Ion Charger



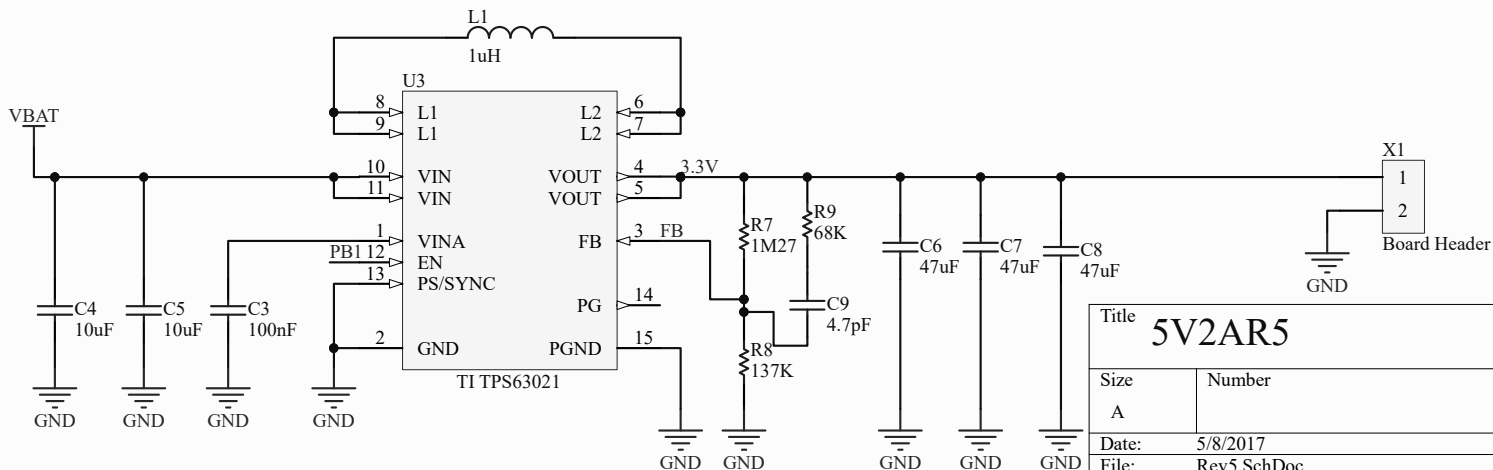
Status LEDs and Power Switch



ATtiny45



5V DC-DC Regulator



Title		5V2AR5		www.FlashCandy.us	
Size	Number	Revision		R5	
A					
Date:	5/8/2017	Sheet of			
File:	Rev5.SchDoc	Drawn By:		Callahan Kovacs	